

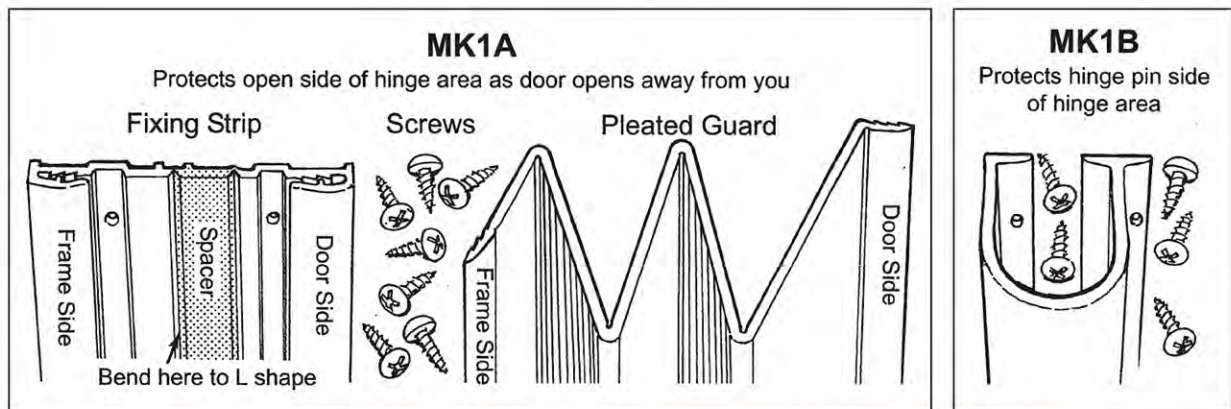
## MK1A & MK1B FITTING INSTRUCTIONS

Fingersafe is easy to fit and very reliable when installed correctly. It is essential that these instructions are followed carefully. We can accept no liability or responsibility for incorrect installation. Fingersafe can be installed in 95% of today's doors. If your door is one of the following types, please contact us for assistance: *double swing doors, sliding doors. Pre-drill kick plates using 3/32 titanium drill bit.*

### Tools required for fitting Fingersafe

1. Cordless drill
2. Utility knife (always keep blade sharp)
3. Strong scissors or metal shears
4. Phillips drill bit
5. Pencil
6. Self drilling screws for wood, metal & aluminium doors (provided)

### Components of fingersafe®

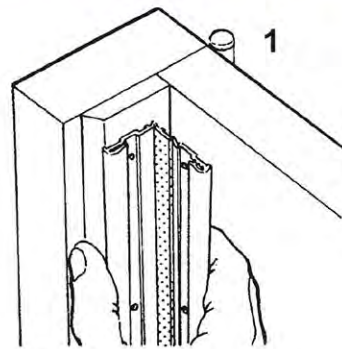
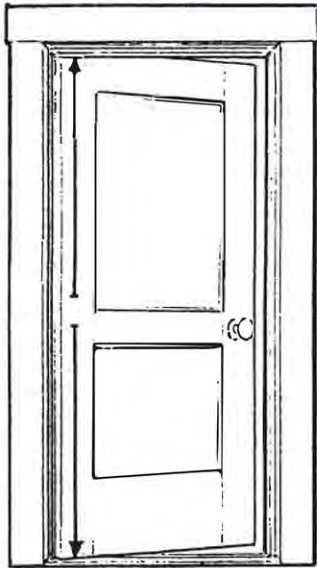


### MK1A PRE-INSTALLATION CHECKLIST

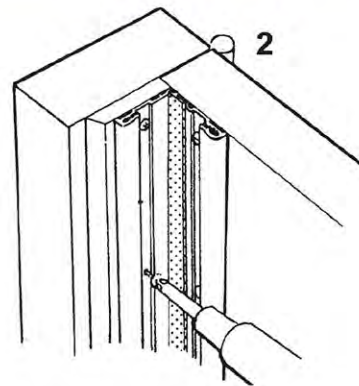
1. Check the stability of the door and hinges by opening the door at a 45 degree angle and gently but firmly exerting lateral and vertical pressure. This will show any instability or damage in the door or frame which must be repaired before you start. If the door has a closer attached, you must check its effectiveness. If the door closes easily without fingersafe, it will continue to do so once fingersafe is installed.
2. After any necessary door maintenance, bring all the tools to the side of the door that swings away from you, and pull the door closed tight.
3. Measure from the bottom of the door to the door stop at top of the door (with door firmly closed) then allowing clearance top and bottom, cut the fixing strip and module (pleated panel) to length if necessary

**NO LIABILITY WHATSOEVER ACCEPTED IF THESE INSTRUCTIONS ARE NOT FOLLOWED**

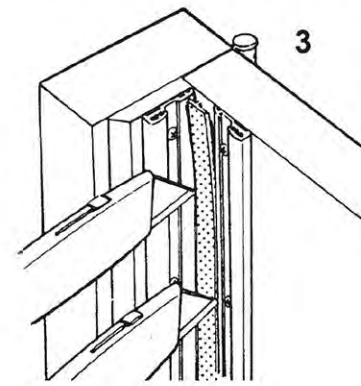
# MK1A Installation instructions for standard hinged door



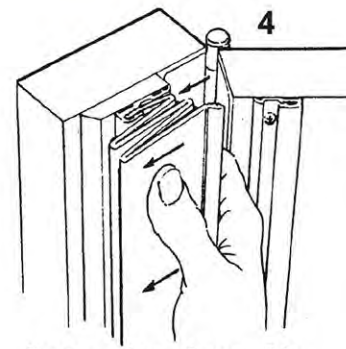
Close door and bend fixing strip to an 'L' shape. You will have two sections, one longer than the other. Hold in the corner of the frame and door, being sure to keep the wider section on the door side.



Insert TEK screws on alternating sides, keeping corners firmly in place.



With Stanley knife separate strips at corner and remove spacer from door (if strip is not removed, the door will not close).



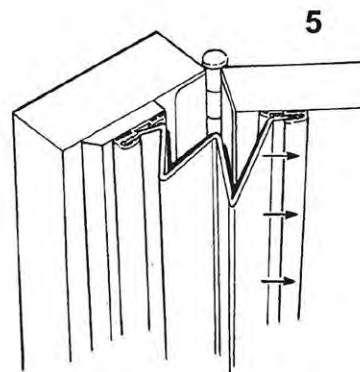
Open the door 90 degrees and align the 1 inch side of the pleated panel to the frame side of the fixing strip. Teeth must face inward toward the door and frame. Then snap into position, top to bottom.

## Fitting Tips:

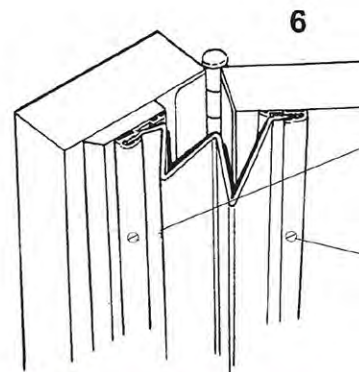
Please pay special attention to instructions No. 3 and No. 6

After installing fixing strip, the 1 inch panel must be snapped into FRAME side of fixing strip FIRST. see No. 4

When snapping the fingersafe panels in position, 3 distinct clicks per side signal a complete installation.

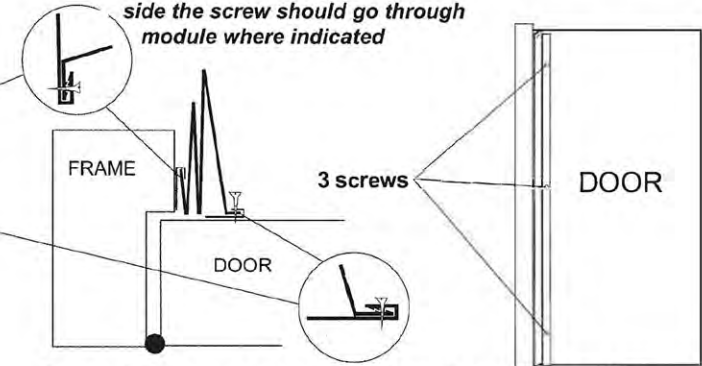


Insert 3 inch panel of fingersafe in door fixing strip. \*3 distinct clicks.



Always fit retaining TEK screws through both fixing strip and accordion.

Ensure when screwing onto frame side the screw should go through module where indicated

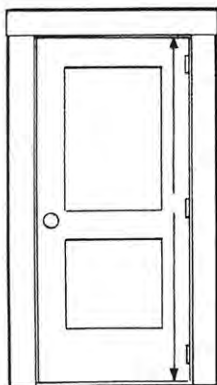


Ensure the 3 screws are inserted through accordion and fixing strip as shown. Fingersafe should lay flat against the frame when the door is closed.

**THESE INSTRUCTIONS MUST BE FOLLOWED PRECISELY  
IN ORDER TO VALIDATE THE 2 YEAR GUARANTEE**



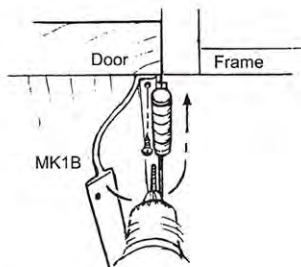
# MK1B Installation for standard hinged door



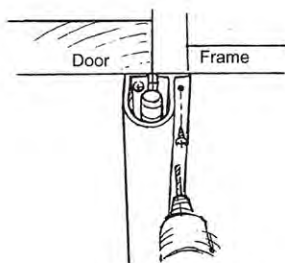
Measure height of the hinge side of door. Cut MK1B square to this length

## Fitting Tips

- (1) Both the L and T must be parallel to door and frame and each other for maximum protection and wear
- (2) The screws on the L side must be secure first for obvious reasons

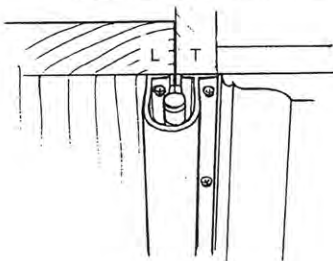


Butt L shaped edge to the door side of hinges while aligning with top and bottom of door. Secure completely with TEK self tapping screws



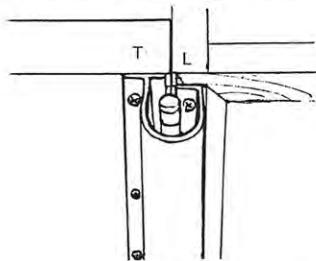
Roll the MK1B over the hinges and butt the T shape to hinges on frame side. Align with L shape top and bottom. Secure with TEK self tapping screws and remove cellophane protective membrane. You are now fingersafe

## Typical installation



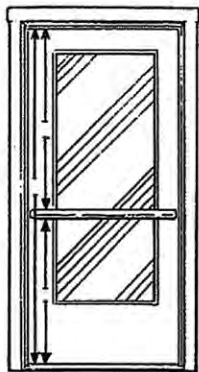
MK1B must be cut square aligned with top and bottom of door

## Exception to Typical



Architrave frame fitted with MK1B reversed, due to limited space on the frame side

# MKIA Instructions for metal door with push bar



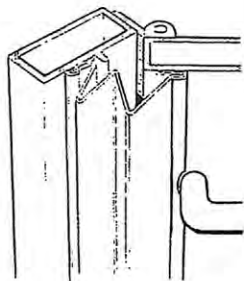
## Fitting Tips

If the bar is less than 1.25" from edge of the door in installation area, the door fixing strip and pleated panel may need to be trimmed.

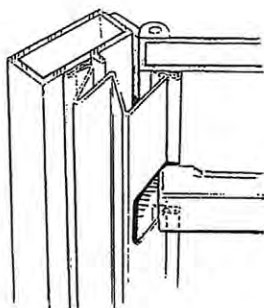
Remove only enough material from 3" pleated panel to accommodate bar.

Measure twice, cut once!

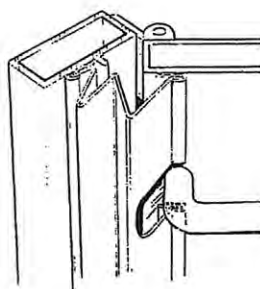
## Metal door with push bar



Measure above and below bar to adapt door fixing strip and pleated panel.

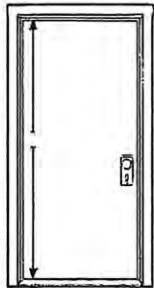


Or hold components in position and carefully mark area to be trimmed.



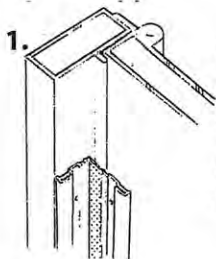
Use utility knife, metal snips or scissors to trim.

# Installation Modification for YKK Type Doors

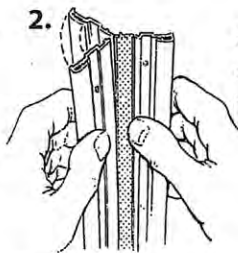


For smoothest operation and maximum wear, fixing strips must be straight and parallel to door and each other.

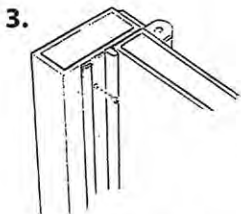
All components must be cut square with space top and bottom to prevent binding.



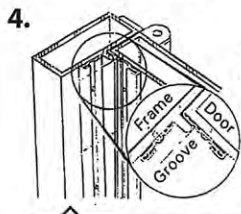
1. Metal door with fixing strip in position. Align with bottom of door.



2. Separate frame side of fixing strip for installation.



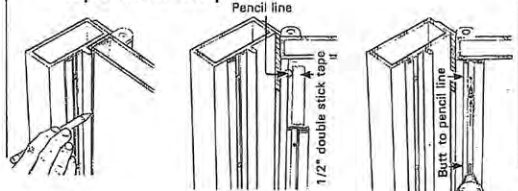
3. Butt frame fixing strip to metal lip as shown. Screw in TEK screws.



4. Align the edge of the lip with groove between spacer and door fixing strip. Screw in TEK screws

**If the space between door and lip is too small to accept fixing strip, use Optional Step 4:**

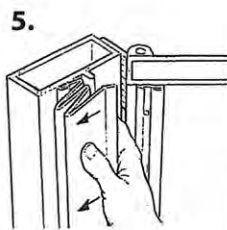
## Optional Step 4:



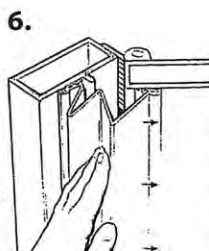
Using the lip as a straight edge, draw a pencil line from top to bottom. Separate the door fixing strip.

Align door fixing strip with the top and bottom of door and the pencil line as shown.

Secure fixing strip with TEK screws. Snap pleated panel in position. Follow Step 5-6



5. Place the 1" panel next to the gripper of the frame fixing strip. Align top and snap into place.



6. Snap the 3" panel into door fixing strip gripper. Listen for 3 clicks. Follow Step #6 on instructions.