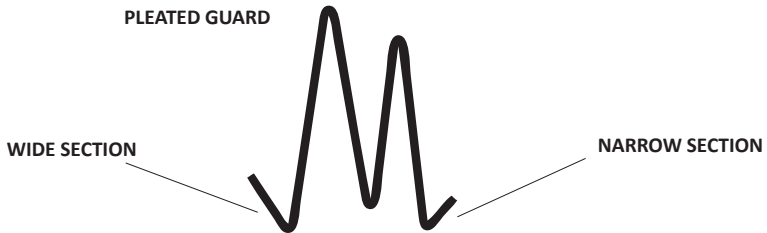


FINGERSAFE MK1C FITTING INSTRUCTIONS FOR BI-FOLD DOORS

www.fingersafeUSA.com
Tel: 912-234-6120
Email: Orders@fingersafe.com

There are many ways to fit our finger guards. All fitting instructions are contained on the technical page of our website www.fingersafe.com We suggest you review all fitting instructions to ensure you fit the finger guards in the manner most appropriate to your door.



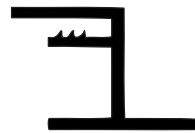
THIS PRODUCT USES THE STANDARD FINGERSAFE PLEATED GUARD WITH THIS NEW FIXING STRIP

FIXING STRIP

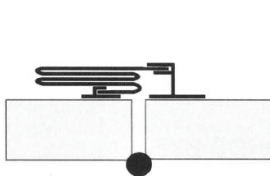
> Use a stanley knife to cut the strip into sections A and B before commencing installation.



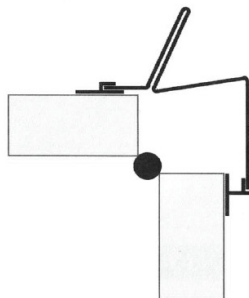
SECTION A



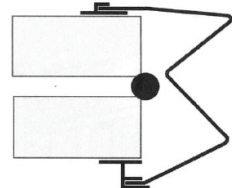
SECTION B



CLOSED



90 DEGREE OPEN



180 DEGREE OPEN

BIRDS EYE VIEW WITH FINGERSAFE MODULE FITTED

STEP 1

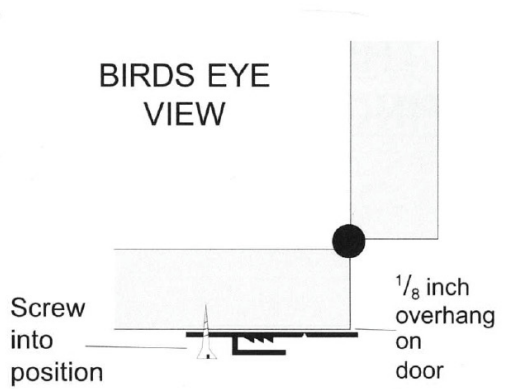
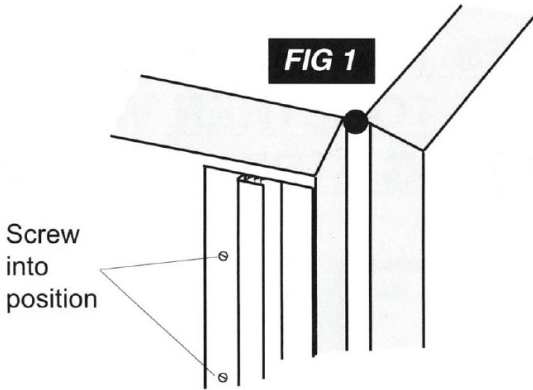
Check the firmness of the door hinges to check for damage and to be sure the door operates properly - if the door closes easily without Fingersafe it will continue to do so once Fingersafe MK1C is fitted.

STEP 2

Cut module with sharp scissors or tin snips and fixing strip with metal shears to fit the height of the door, ensuring that both finish not less than 3/4 in short of the door top and bottom, most strips do not need to be cut at all.

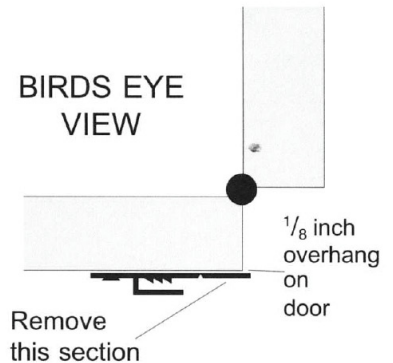
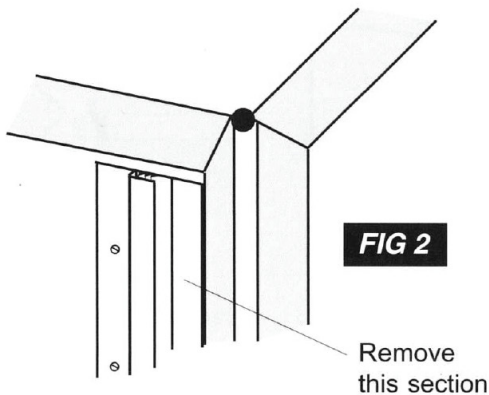
STEP 3

Open the bi-fold to 90 degrees, attach fixing strip A to one side of the bi-fold door. The leading edge must overhang the inside edge of the opening by 1/8 inch. See Fig 1. Ensure screws are also fastened within 1" of the top and bottom of the fixing strips.



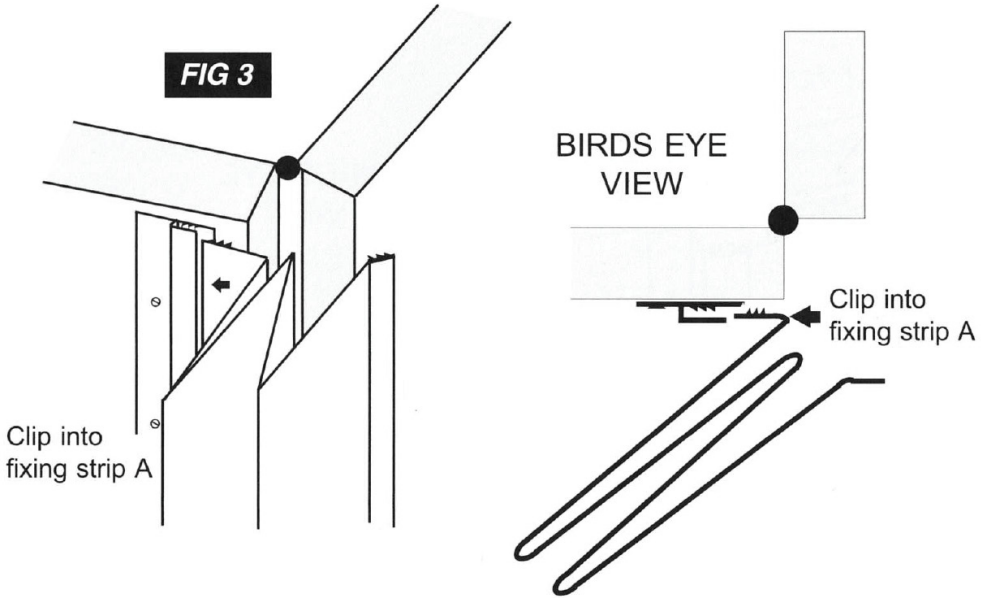
STEP 4

Remove .5" section by cutting along grooved line with Stanley type blade. See Fig 2.



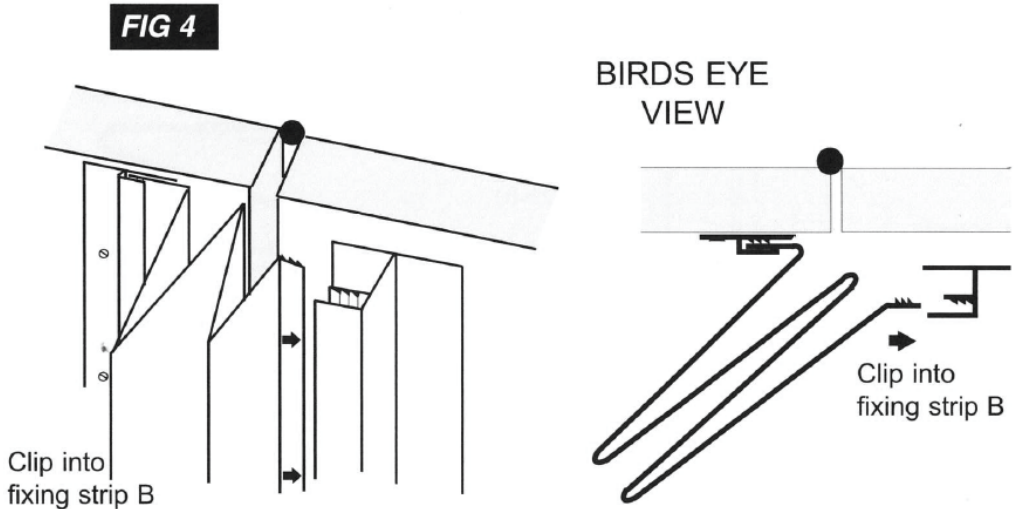
STEP 5

Clip the Fingersafe wide section into the fixing strip A starting at the top being sure it is fully locked into the serrations. See Fig 3. (Three distinct clicks signals a secure installation).



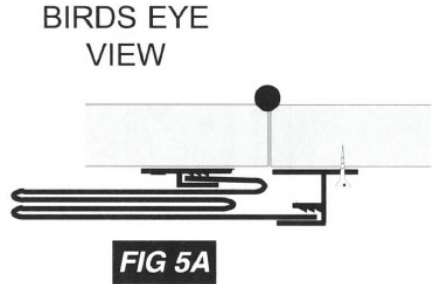
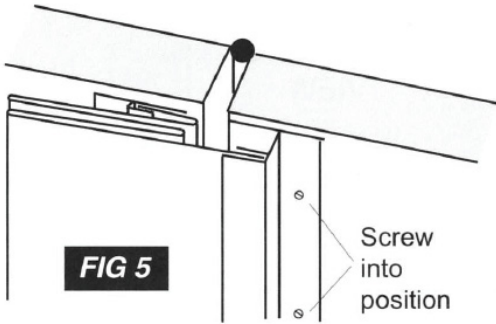
STEP 6

Take the fixing strip B and clip onto the module narrow section being sure that it is full locked into position. See Fig 4. (Three distinct clicks signals a secure installation).



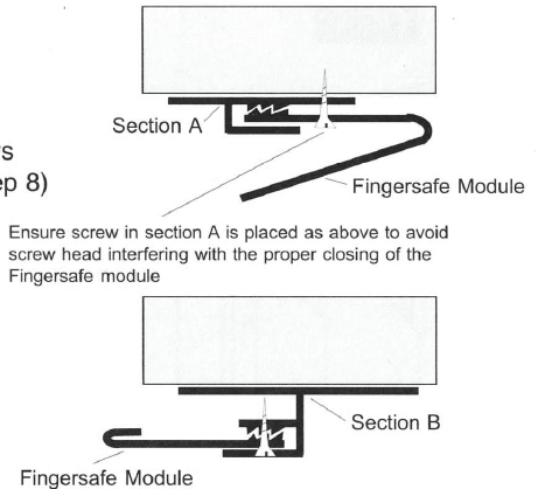
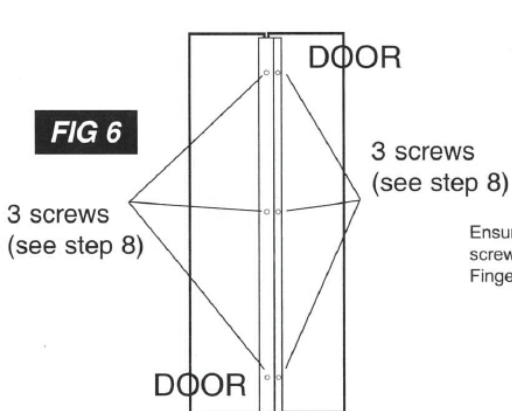
STEP 7

Close the bi-fold door and lay the fixing strip section B with module against the door and screw into position making sure Fingersafe lays flat against door. See Fig 5A.



STEP 8

After opening and closing the door to ensure that the Fingersafe is working as diagrams 1, 2 & 3, attach 3 extra screws top, middle and bottom to both side of unit through both fixing strip and module. See Fig 6.



THESE INSTRUCTIONS MUST BE FOLLOWED PRECISELY IN ORDER TO VALIDATE THE 2 YEAR GUARANTEE